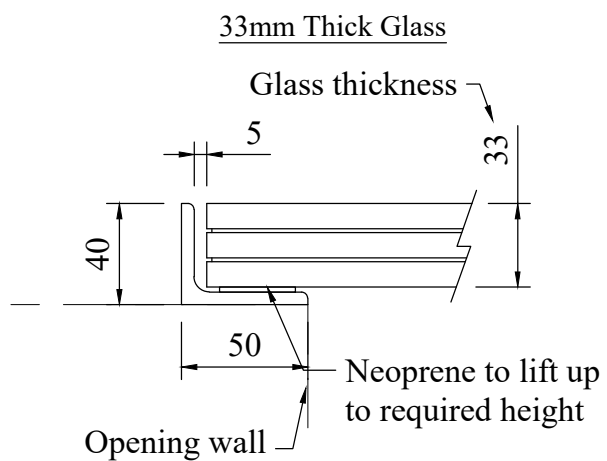
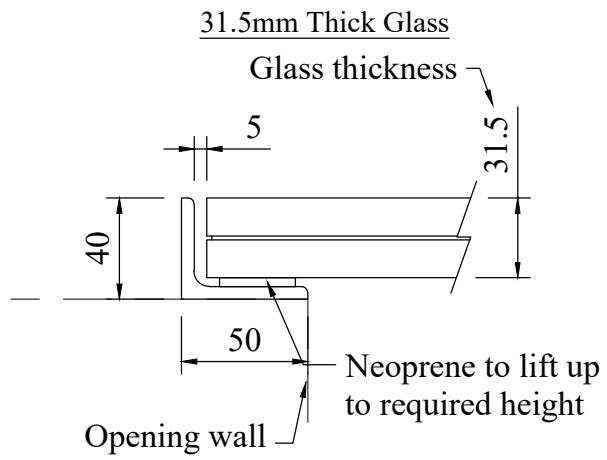
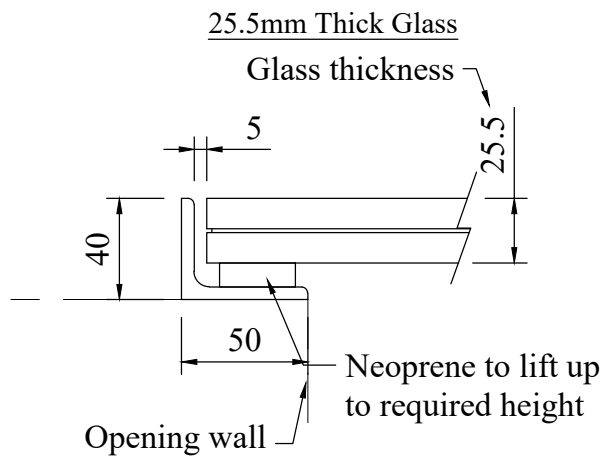
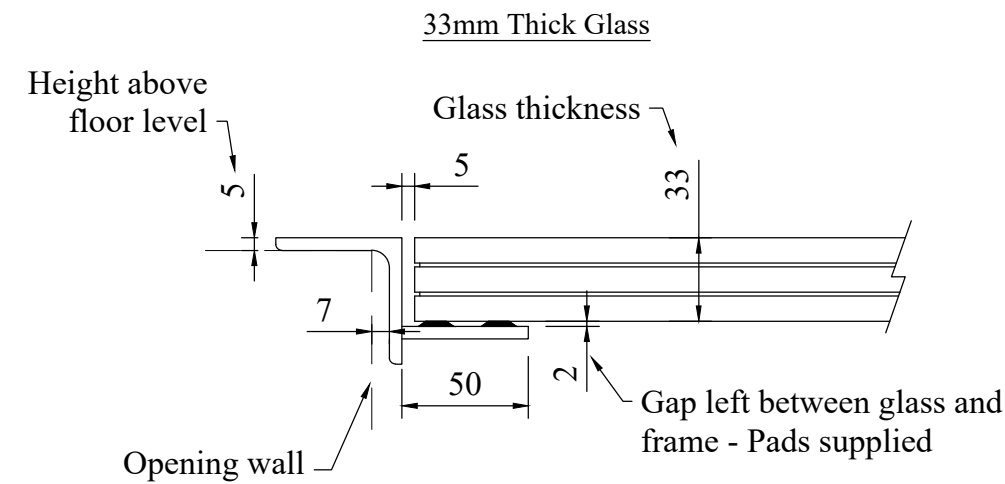
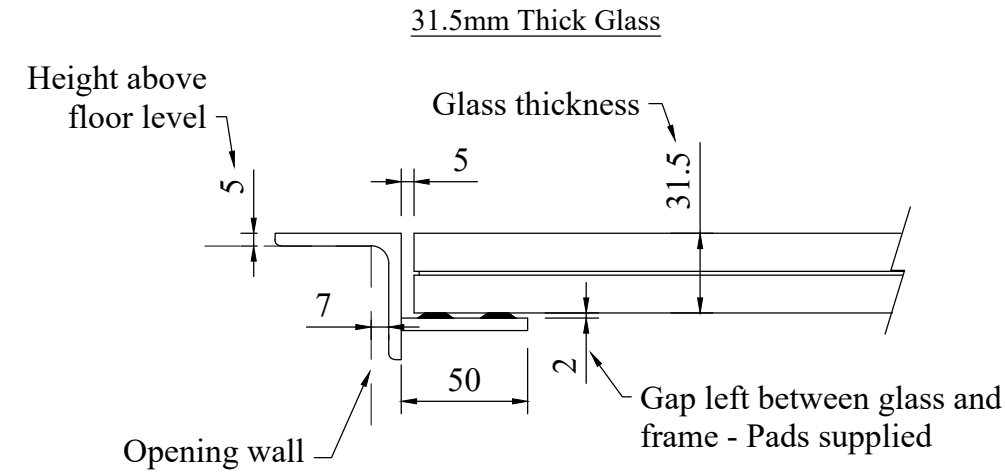
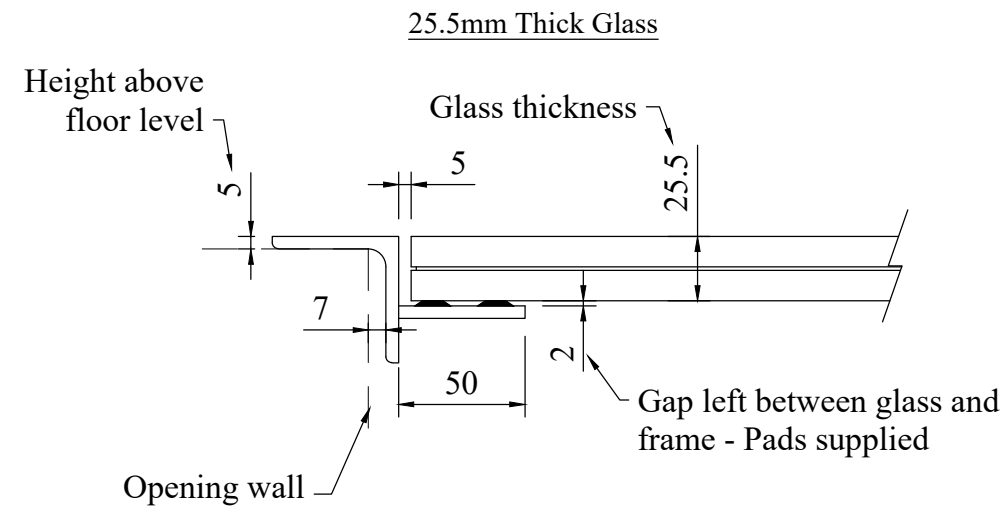


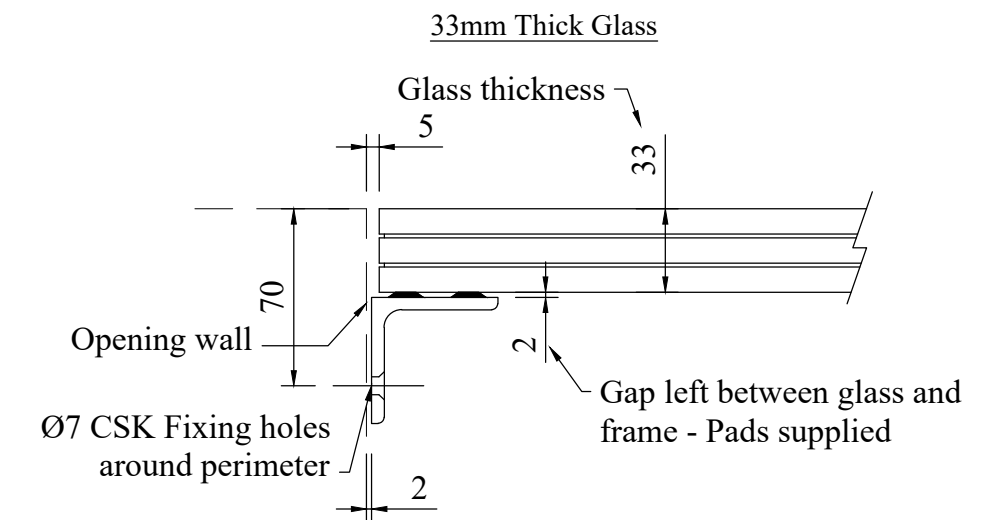
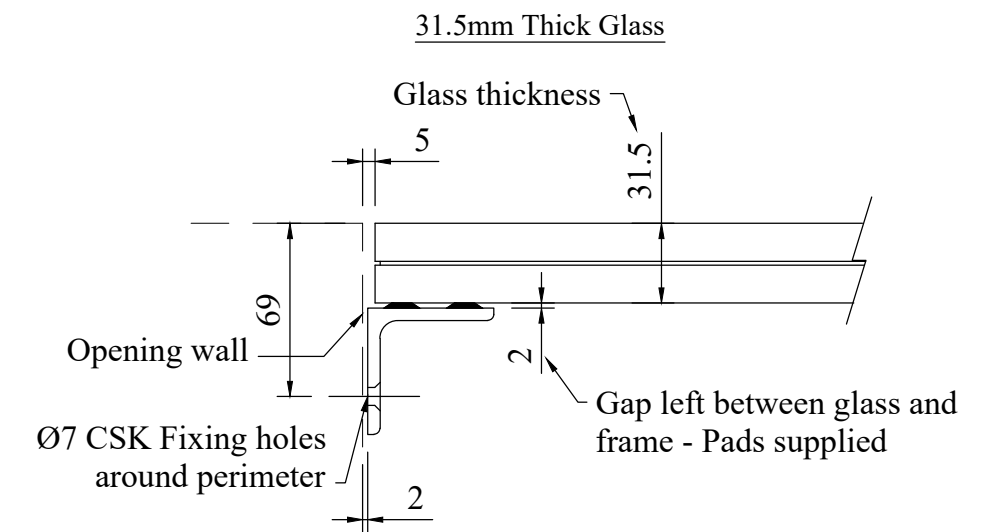
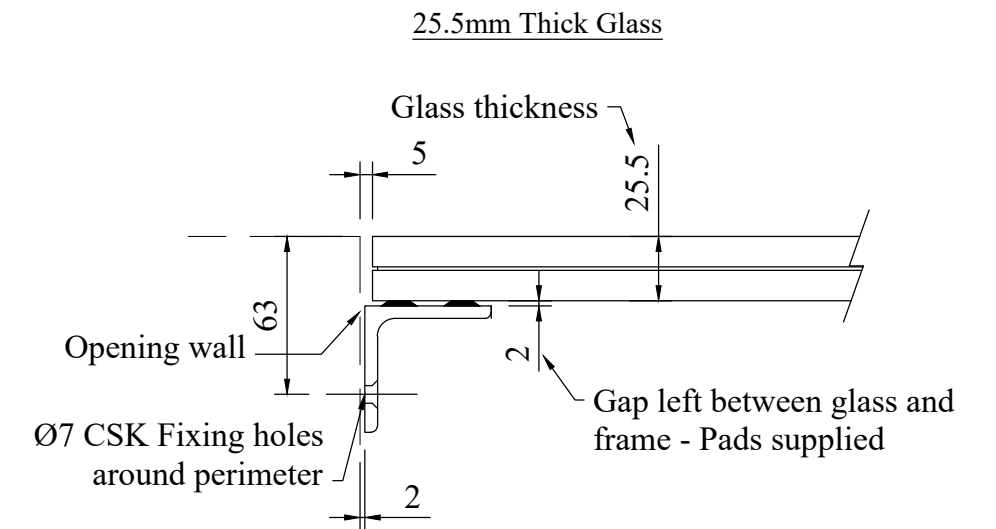
Frame A - On/Around floor opening style



Frame B - Drop-in opening style



Frame C - Fix within opening style



GENERAL NOTES. Manufactured to BS 1090-2 Class EXC2 (U.N.O); All Holes 14dia (U.N.O); All Welds 6mm FW, Declaration Method 3b(U.N.O); All Materials Mild Steel Grade S275 (U.N.O); Tolerance:0.0mm-1000mm +/- 1mm; Notches- Minimum 5mm rad

PROJECT.

Typical Details - Glass & Frames

DRAWN	CHECKED	SCALE	DATE
AM		XX	25/07/24
CONTRACT No.		DRAWING No.	REV
GF-1		01	